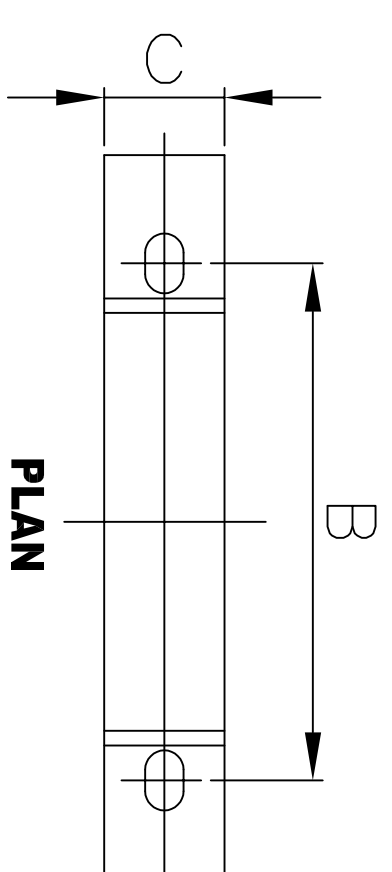


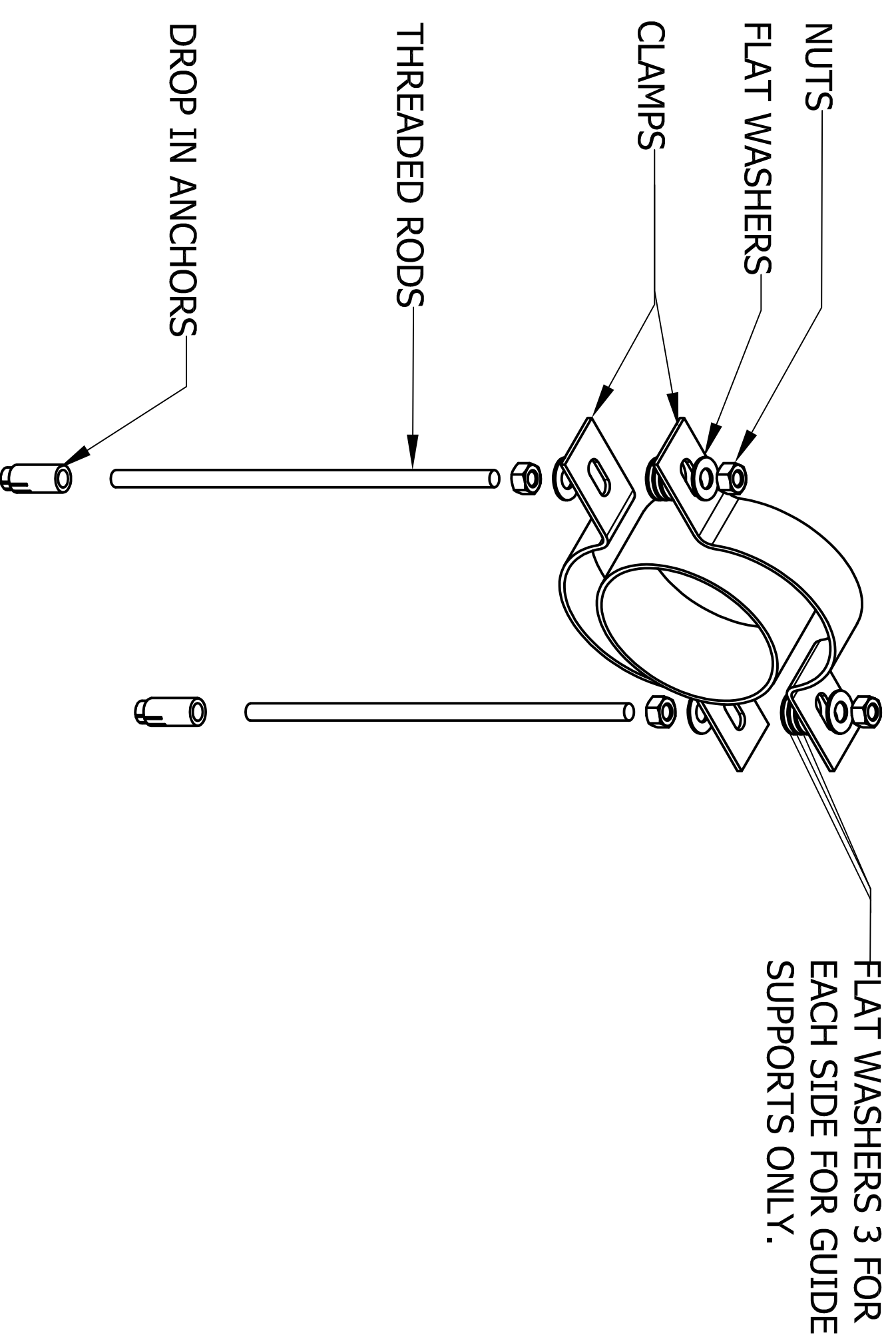
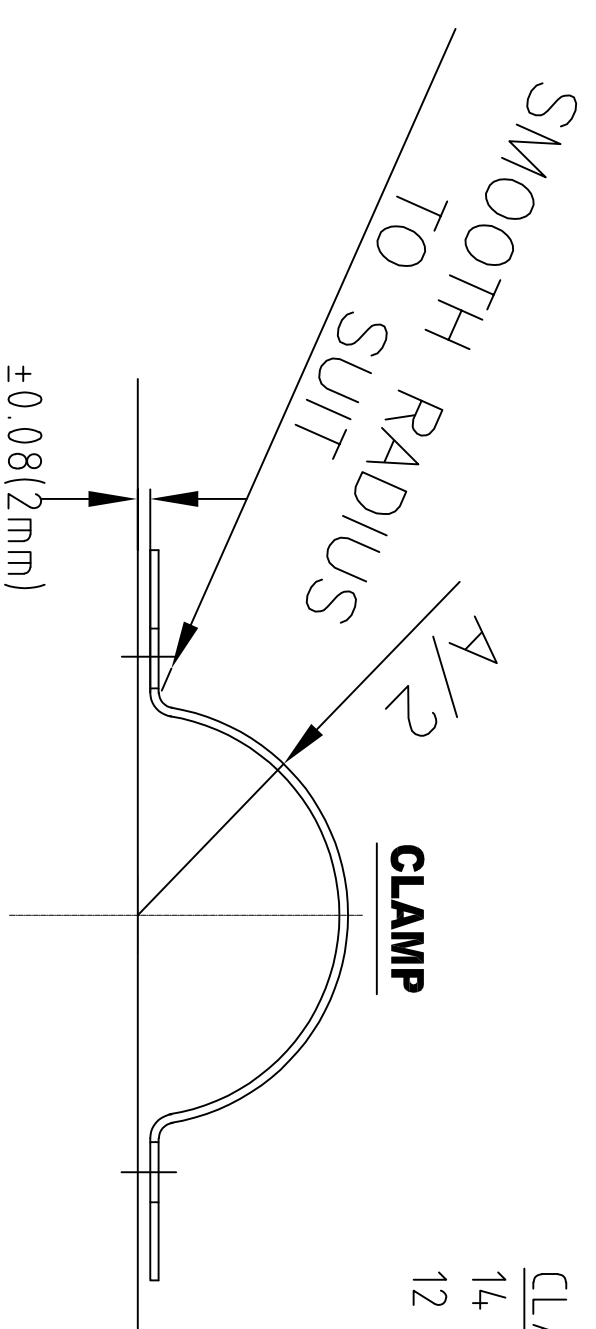
PIPE SUPPORT DETAILS

	DESCRIPTION
A	SUPPORT CLAMP DIAMETER
B	THREADED ROD DISTANCE
C	CLAMP WIDTH
D	THREADED ROD DISTANCE
E	THREADED ROD DIAMETER

5	DROPIN ANCHORS	304SS or 316SS	2	SUPPLY BY SSI
4	FLAT WASHER	304SS or 316SS	2	
3	NUT	304SS or 316SS	8	
2	THREADED ROD	304SS or 316SS	2	
1	CLAMP	304SS or 316SS	2	
PART No.	PART NAME	MATERIAL	Q'TY	REMARKS



CLAMPS THICKNESS:  
 14 g FOR 2" to 6" supports.  
 12 g FOR 8" to 14" supports.



# STANDARD PIPE SUPPORT DETAILS

SCALE : NTS

DATE :05/28/2021

REVISED : 0

DRAWN BY : NIROOP

SHEET: 1 OF 1

**SSI**

**Stamford Scientific International, Inc.**

DWG No. SUPPORT STANDARDS

Project : Standard Supports Details