

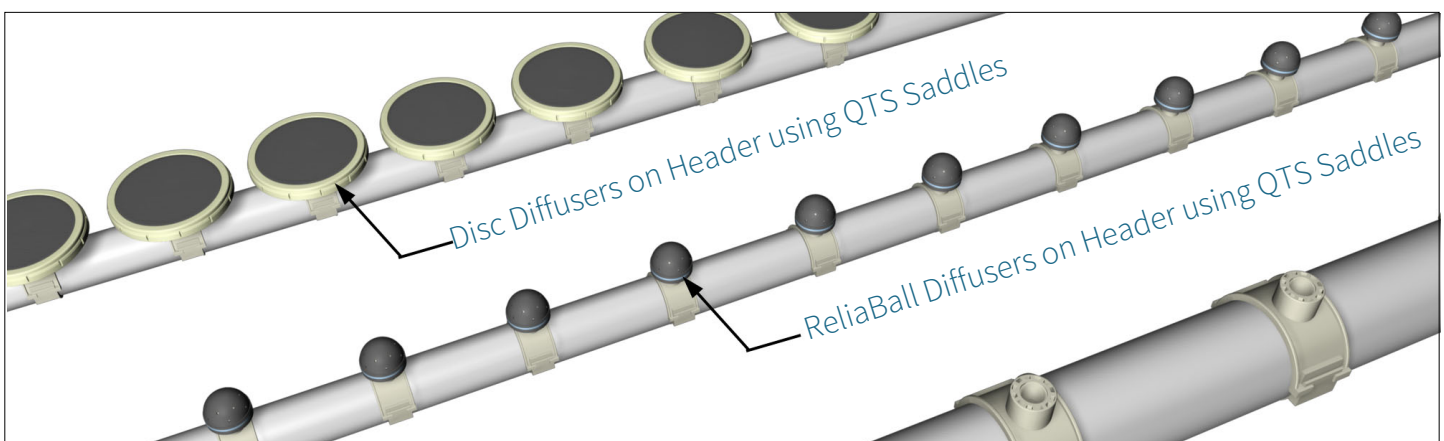
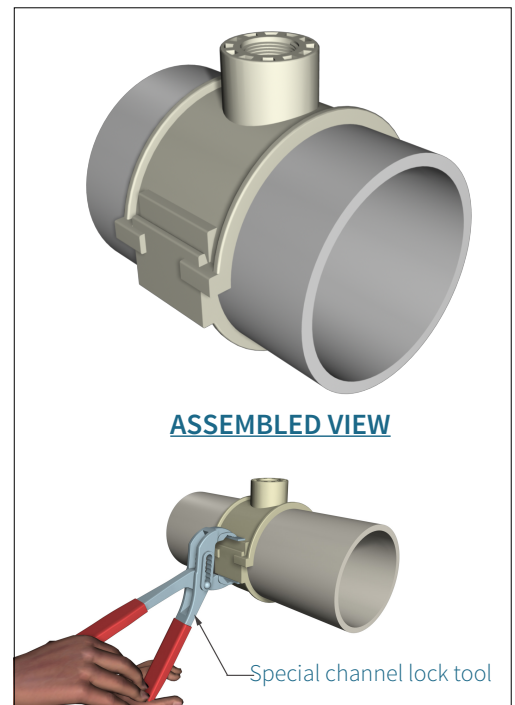
## QUICK THREADED SADDLES

## QTS389 / QTS390

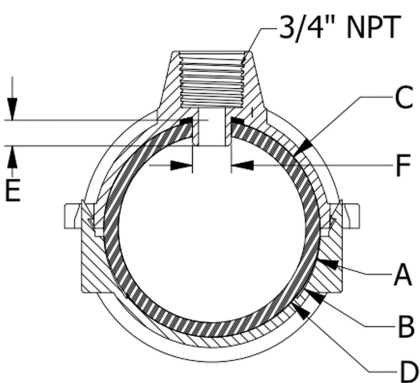
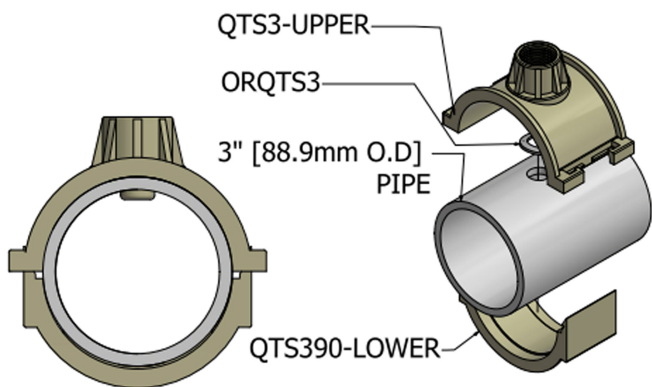
SSI manufactures nominal 3" Quick Threaded Saddles (QTS) for both US (3"/88.9mm O.D.) and Metric (90mm O.D.) pipe. Quick Threaded Saddles are made of talc-filled polypropylene, and installation into a 5/8" (16mm) hole with an O-ring (ORQTS3). Easily install Quick threaded saddle on pipe using SSI's special channel-lock pliers.

- SSI Quick Threaded Saddles are designed to mount onto nominal 3" plastic or stainless pipe. Use model #QTS389 for US pipe, and QTS390 for metric pipe.
- The 3/4" FNPT connection accepts 7", 9", 12" discs and ReliaBall CB diffusers on the same mount.
- Reduce labor costs-disc aeration systems can be installed rapidly with this saddle mount.
- Features integral seal to ensure a leak-free connection.
- Provides a rigid, robust connection which offers resistance to pull-out forces and typical channel velocities.

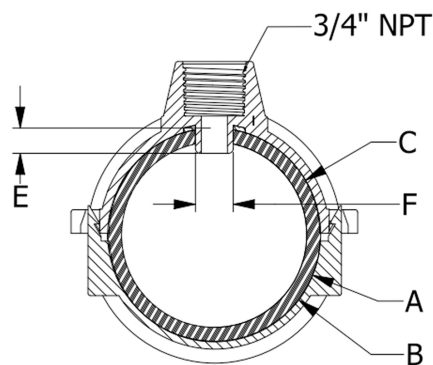
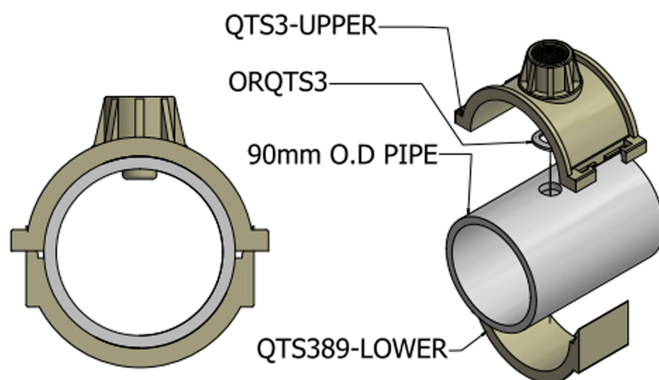
Note : We recommend the use of our channel-lock pliers for installation of the QTS product on to pipe. Contact SSI for more details.



## QTS389



## QTS390



DIMENSIONS & CHARACTERSTICS	QTS389	QTS390
A- PIPE O.D	3 1/2" / 88.9mm	90mm
B- SADDLE I.D	3 1/2" / 88.9mm	3 1/2" / 88.9mm
C- SADDLE I.D	3 1/2" / 88.9mm	3 1/2" / 88.9mm
D- STAIR	0.0393" / 1mm	No Stair
E- REGISTER	7/16" / 10.6mm	7/16" / 10.6mm
F- REGISTER DIA	9/16" / 16mm	9/16" / 16mm
PIPE MATERIAL	PVC / PP / SS	PVC / PP / SS
SADDLE MATERIAL	PP	PP
O-RING MATERIAL (ORQTS3)	EPDM	EPDM
MAX TEMPERATURE RESISTANCE	120° C / 248° F	120° C / 248° F

### Product Identification - QTS389 vs QTS390

The difference between the metric and US versions is the lower strap. Note the straps are molded with a label on the inside of the part. Please be sure that you have ordered the correct size and model of saddle for your pipe O.D.

Note:- this product is not designed for tube diffusers.

