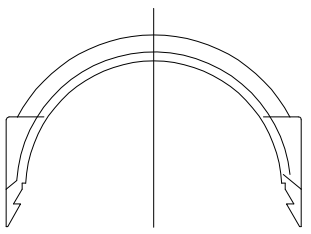
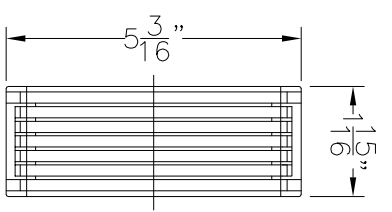
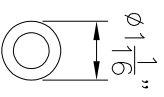
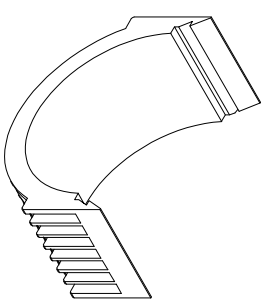


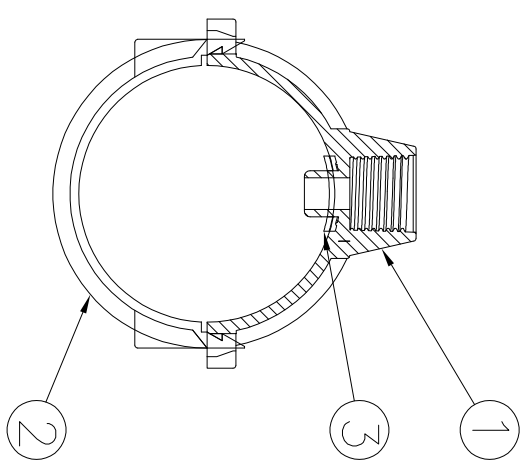
① Upper Saddle



② Lower Saddle



③ O-Ring



PART No.	PART NAME	MATERIAL	Q'TY	REMARKS
3	O-Ring	PP	1	
2	Lower Saddle	PP	1	
1	Upper Saddle	PP	1	

QTS4114 SADDLE

SCALE : NTS DATE :05/24/21

DRAWN BY : -----	DWG No.	QTS4114
MODEL	QTS4114	