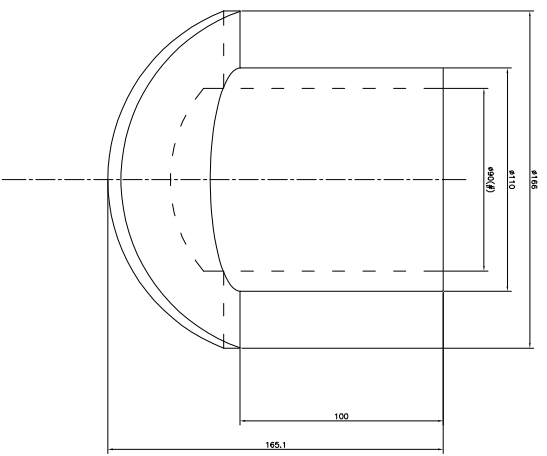
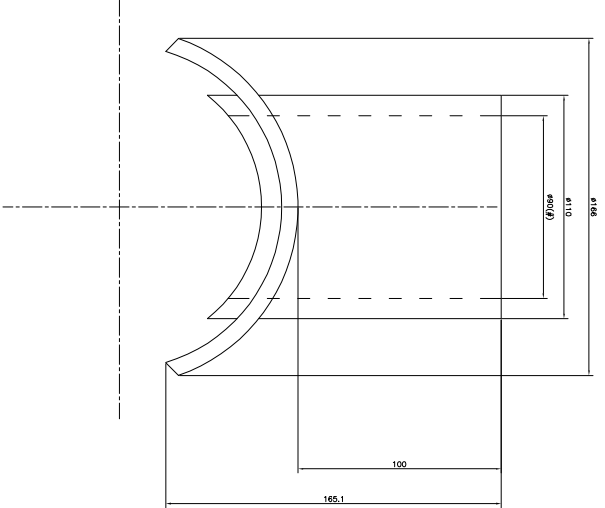


NOTE:
 1. Ø90(φ) 는 φ89mm로 체인징
 코어로 제작해야함



PART No.	PART NAME	MATERIAL	Q'TY	REMARKS
1	160x 110 HALF SADDLE	PVC	1	

PVC 160 x110 x 90 HALF SADDLE

SCALE : NTS DATE : 11/04/2019 REVISED :

STAMFORD SCIENTIFIC INC.

DRAWN BY :	HS -160110 -A1
DWG No.	HS -160110
MODEL	HS -160110