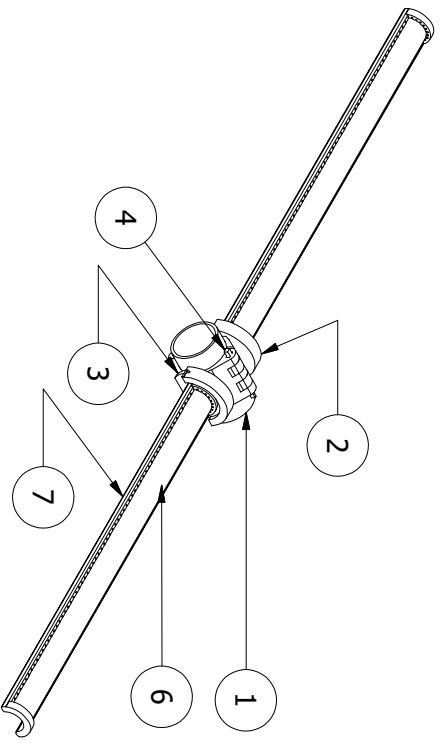
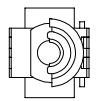
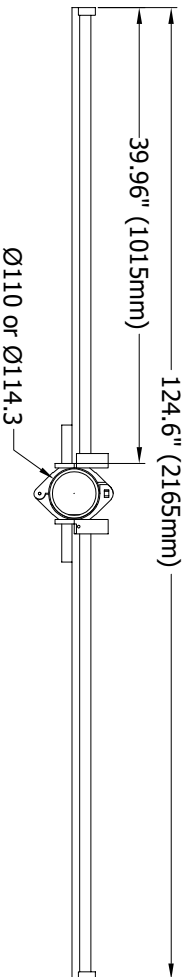
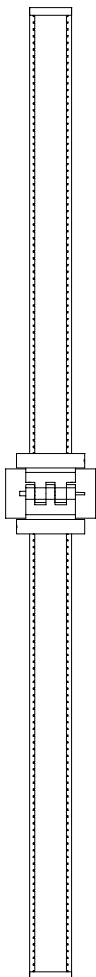


ECT-S1000 TUBE DIFFUSER

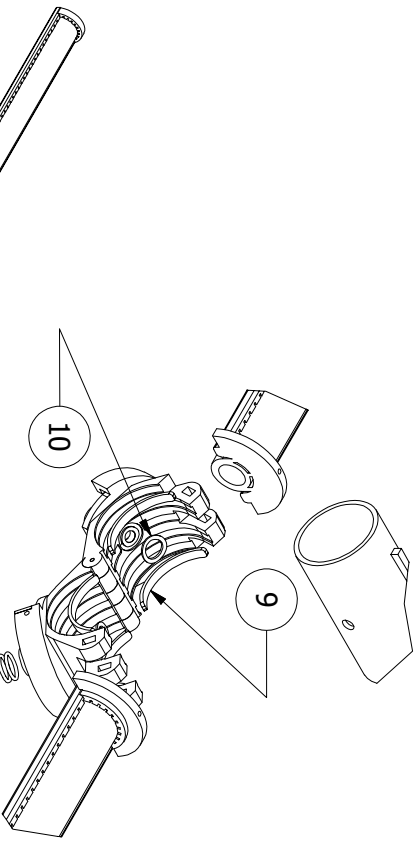
Please do not scale from this drawing. The information contained in this drawing is copyright and may not be used, in whole or in part, without the express permission of SSI

IF IN DOUBT ASK

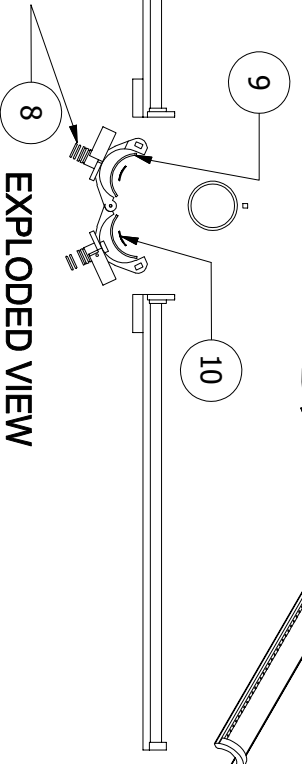


ISOMETRIC VIEW

SSI SUPPLY'S RUBBER PADS FOR DIFFUSERS FOR 110mm O.D PIPES. REMOVE RUBBER PADS FROM DIFFUSERS, WHEN INSTALLING ECT-S1000 ON 114.3mm O.D PIPES



DETAIL C



EXPLODED VIEW

PART NO.	PART NAME	MATERIAL	QTY	PART NO.	PART NAME	MATERIAL	QTY	SCALE: NTS	SHEET NO.1
1	PIPE 4" [114.3mm or 110mm O.D]	PVC/SS	1	8	O-RINGS	RUBBER	4	Title: ECT-S1000 TUBE DIFFUSER SSI AERATION 4 Tucker Drive, Poughkeepsie, NY 12603 USA Web: www.ssi-aeration.com Tel: +1-845-454-8171 Fax: +1-845-454-9094 Designed By: Si Kang Drawn By: M. Kranthi Dwg. No: ECT-S1000	
2	SADDLE LEFT	ABS	1	9	RUBBER PADS (REQUIRED FOR ONLY ECTS INSTALLED ON 110mm O.D PIPE	RUBBER	4		
3	SADDLE RIGHT	ABS	1	10	3D-GASKETS- GREY COLOR 5.5mm THICK FOR 110mm O.D PIPE BLACK COLOR 3.5mm THICK FOR 114.3mm O.D PIPE	RUBBER	2		
4	WEDGE	ABS	1						
5	SADDLE PIN	304SS	1						
6	MEMBRANE	EPDM/ PTFE	1						
7	SUPPORT TUBE PIPE	PP	1						