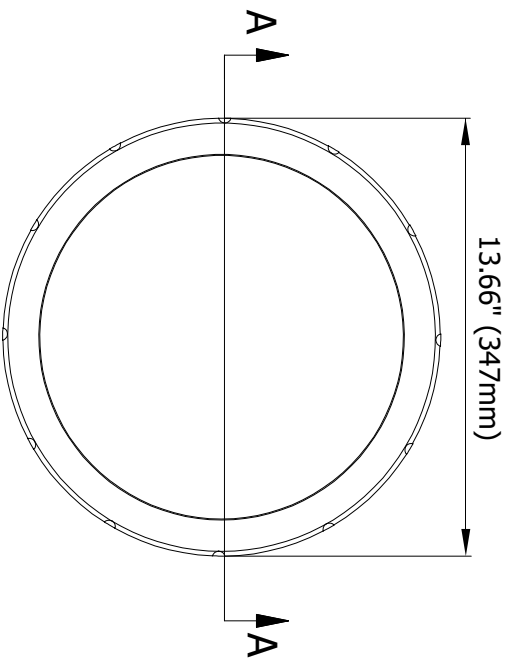


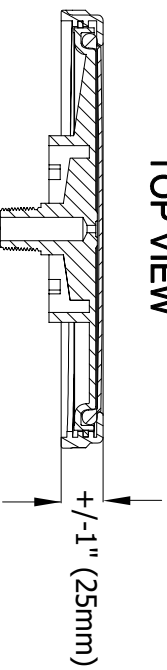
ECO350 DISC DIFFUSER

Please do not scale from this drawing. The information contained in this drawing is copyright and may not be used, in whole or in part, without the express permission of SSI

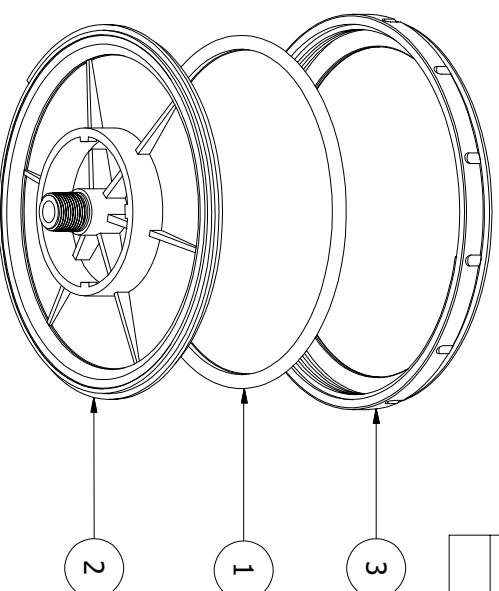
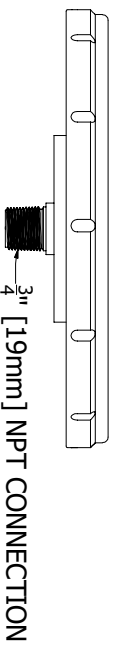
IF IN DOUBT ASK



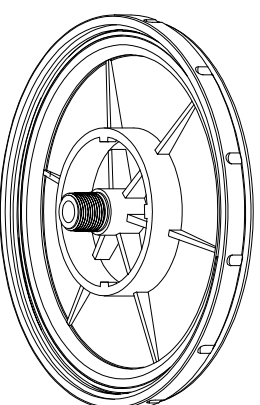
TOP VIEW



**SECTION A-A
SCALE 1 / 2**



EXPLODED VIEW



ISOMETRIC VIEW

1	MEMBRANE	EPDM / PTFE	1		Title: ECO350 DISC DIFFUSERS SSI AERATION 4 Tucker Drive, Poughkeepsie, NY 12603 USA Web: www.ssi-aeration.com Tel: +1-845-454-8171 Fax: +1-845-454-8094
2	DIFFUSER BASE	POLYPROPYLENE	1		
3	RETAINER NUT	POLYPROPYLENE	1		
					Designed By: Si Kang
					Drawn By: M. Kranthi
					Dwg. No: ECO350
PART NO.	PART NAME	MATERIAL	QTY	REMARKS	SCALE: NTS
					SHEET NO. 1