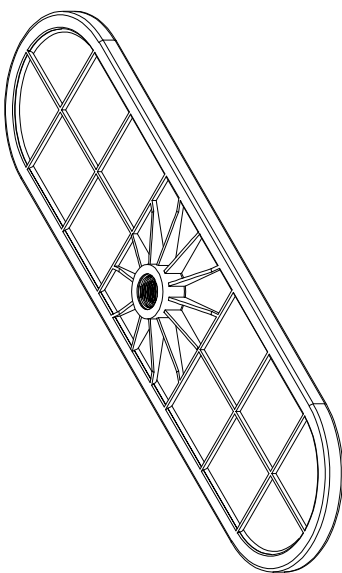
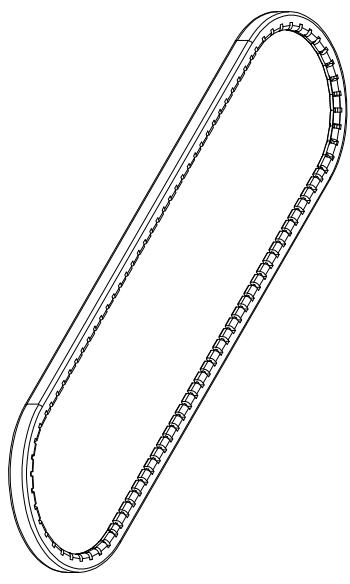
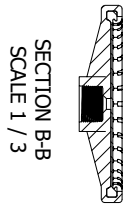
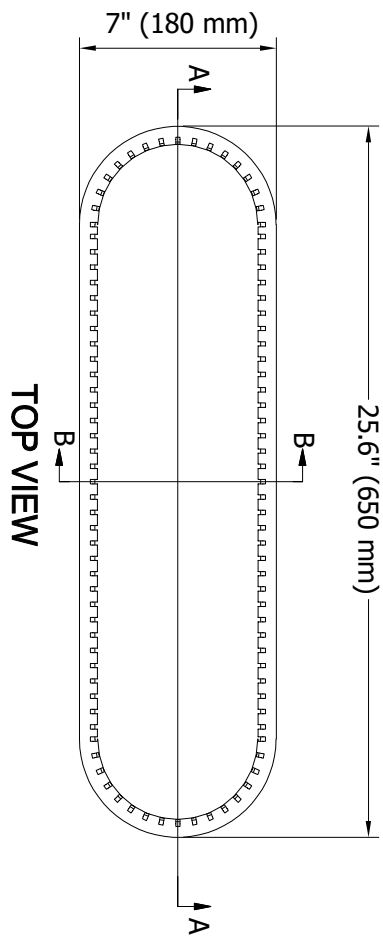
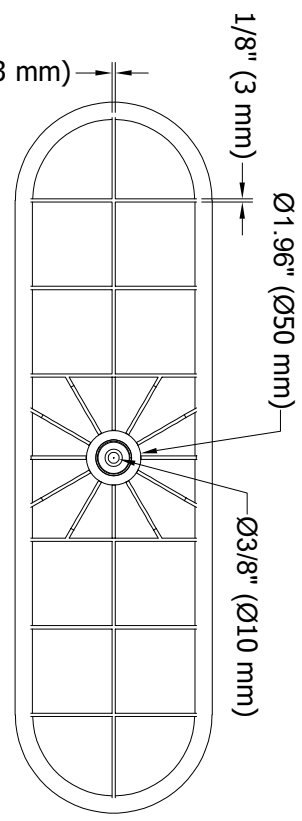


ECD650 DIFFUSER

Please do not scale from this drawing. The information contained in this drawing is copyright and may not be used, in whole or in part, without the express permission of SSI

IF IN DOUBT ASK



ISOMETRIC VIEW

1	MEMBRANE	EPDM / PTFE / VITON	1		Title: ECD 650 DISC DIFFUSERS SSI AERATION 4 Tucker Drive, Poughkeepsie, NY 12603 USA Web: www.ssi-aeration.com Tel: +1-845-454-8171 Fax: +1-845-454-8094
2	DIFFUSER BODY	POLYPROPYLENE	1		
					Designed By: Si Kang
					Drawn By: M. Kranthi
					Dwg. No: ECD650
PART NO.	PART NAME	MATERIAL	QTY	REMARKS	SCALE: NTS
					SHEET NO. 1