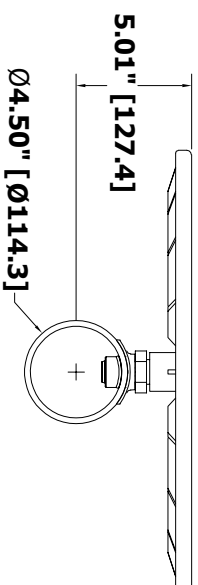
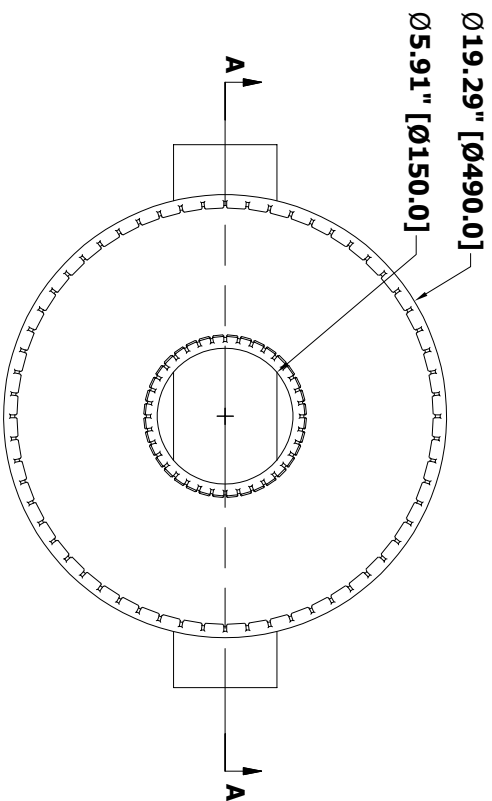


ECD500 DIFFUSER WITH CONNECTOR'S

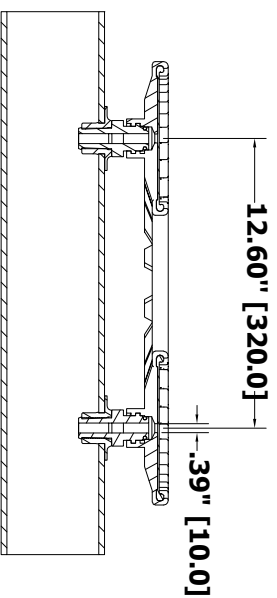
Please do not scale from this drawing. The information contained in this drawing is copyright and may not be used, in whole or in part, without the express permission or SSI

IF IN DOUBT ASK

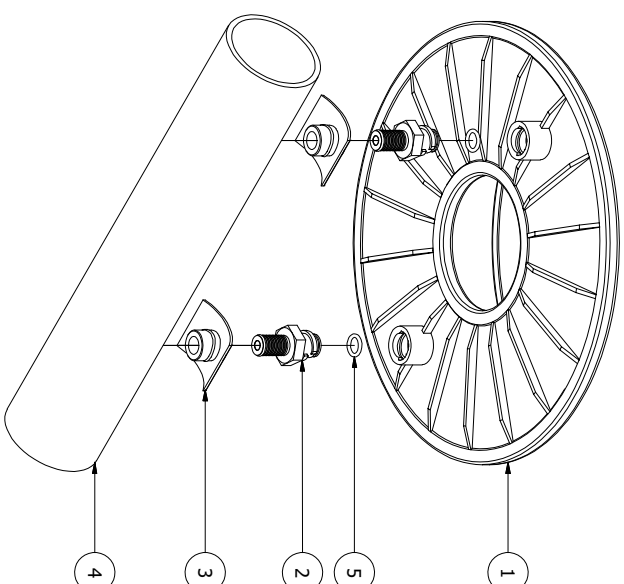


TOP VIEW

SIDE VIEW



SECTION A-A



EXPLODED VIEW

| PART NO. | PART NAME | MATERIAL | QTY | REMARKS | SHEET NO.1 |
|----------|--------------------------|--------------------|-----|---------|--|
| 1 | AT190 DISC WITH MEMBRANE | PP BODY / MEMBRANE | 1 | | Title: ECD 500 DISC DIFFUSERS SSI AERATION 4 Tucker Drive, Poughkeepsie, NY 12603 USA Web: www.ssi-aeration.com Tel: +1- 945-454-8171 Fax: +1- 945-454-8094 Drawn By: M. Kranthi Designed By: Si Kang Dwg. No: ECD500 WITH FITTINGS SCALE: NTS |
| 2 | CONNECTOR | ACETYL | 2 | | |
| 3 | GROMMET | PVC | 2 | | |
| 4 | PIPE | PVC | 1 | | |
| 5 | O RING | RUBBER | 1 | | |