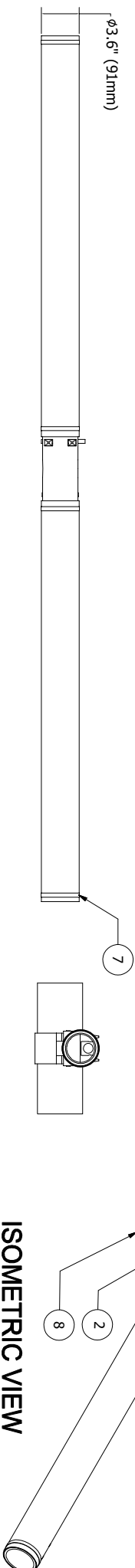


# AFTS31000 - SNAPPY SADDLE TUBE DIFFUSER

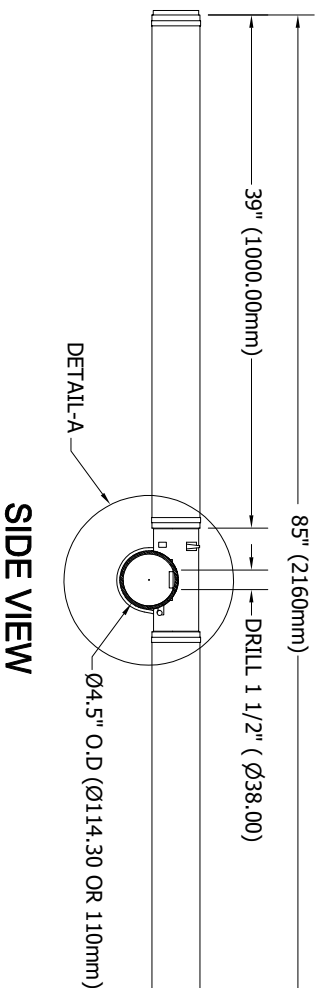
**IF IN DOUBT ASK**

Please do not scale from this drawing. The information contained in this drawing is copyright and may not be used, in whole or in part, without the express permission or SSI

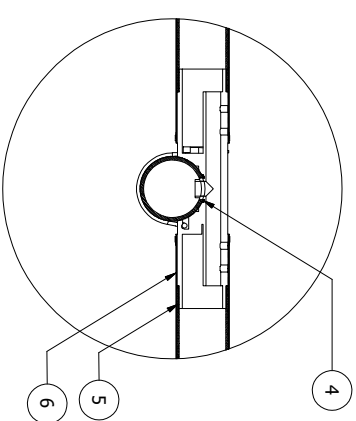


TOP VIEW

ISOMETRIC VIEW



SIDE VIEW



DETAIL-A

PART NO.	PART NAME	MATERIAL	QTY	REMARKS	SHEET NO.1
1	SADDLE	ABS	1		
2	SADDLE CLAMP	PE	1		
3	WEDGE	ABS	1		
4	O-RING	EPDM	1		
5	SLEEVE	ABS or PVC	2		
6	MEMBRANE	EPDM/ PTFE	2		
7	CLAMP	304SS / 316SS	4		
8	PIPE [114.3mm or 110mm or 4.5" O.D.]	PVC / SS	1		

Title: AFTS31000

SSI AERATION

4 Tucker Drive,  
Poughkeepsie, NY 12603 USA  
Web: www.ssi-aeration.com  
Tel: +1-845-454-8171 Fax: +1-845-454-8094

Designed By: Si Kang

Drawn By: M. Kranthi

Dwg. No: AFTS31000

SCALE: NTS