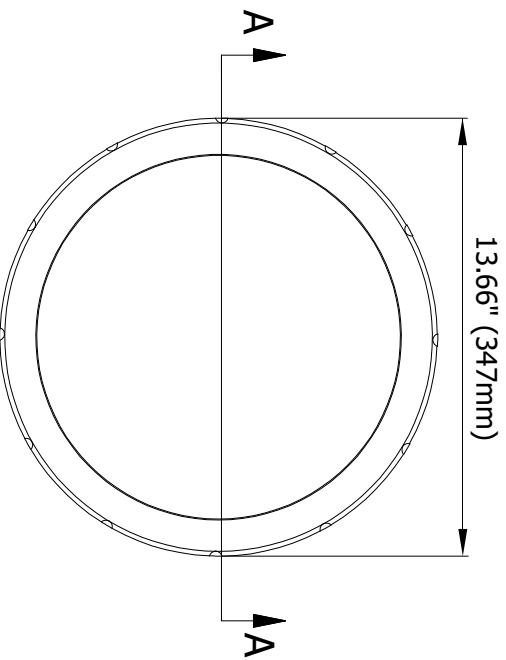


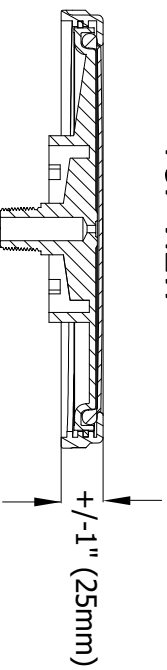
AFD350 DISC DIFFUSER

Please do not scale from this drawing. The information contained in this drawing is copyright and may not be used, in whole or in part, without the express permission of SSI

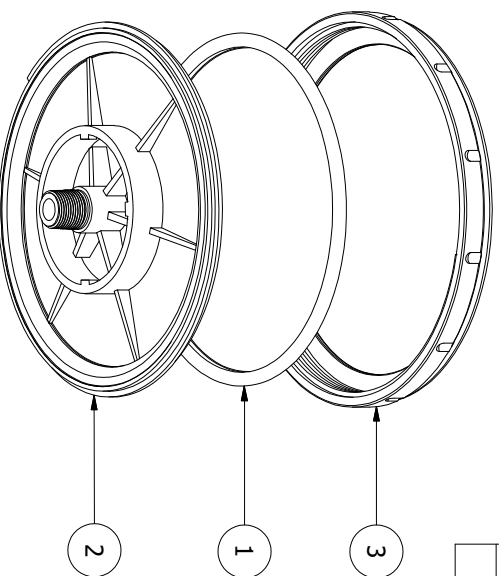
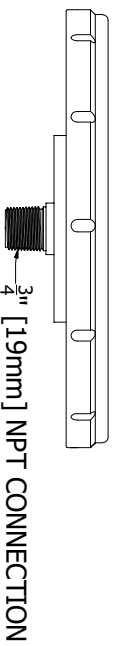
IF IN DOUBT ASK



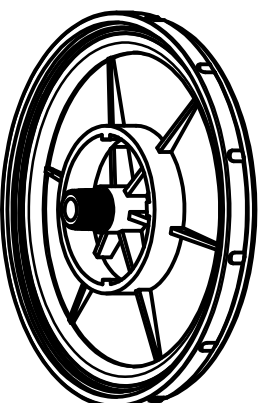
TOP VIEW



SECTION A-A
SCALE 1 / 2



EXPLODED VIEW



ISOMETRIC VIEW

1	MEMBRANE	EPPM / PTFE	1		Title:	AFD350 DISC DIFFUSERS
2	DIFFUSER BASE	POLYPROPYLENE	1		SSi AERATION	4 Tucker Drive, Poughkeepsie, NY 12603 USA Web: www.ssi-aeration.com
3	RETAINER NUT	POLYPROPYLENE	1		Designed By: Si Kang	Tel: +1-845-454-8171 Fax: +1-845-454-5094
					Drawn By: M. Kranthi	
					Dwg. No: AFD350	
					SCALE: NTS	
PART NO.	PART NAME	MATERIAL	QTY	REMARKS		SHEET NO.1