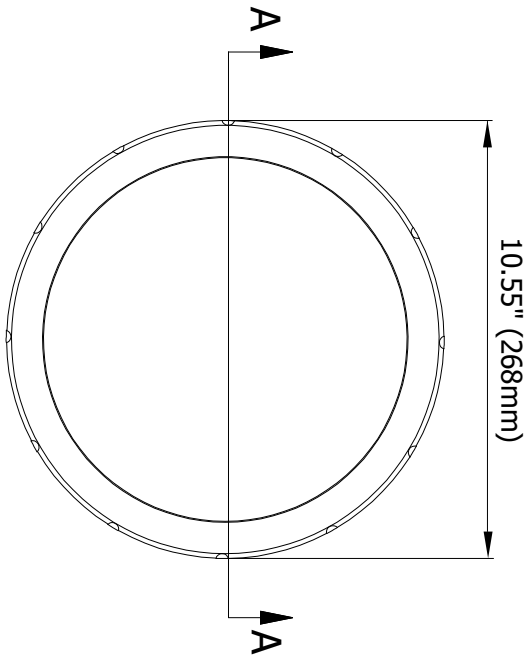


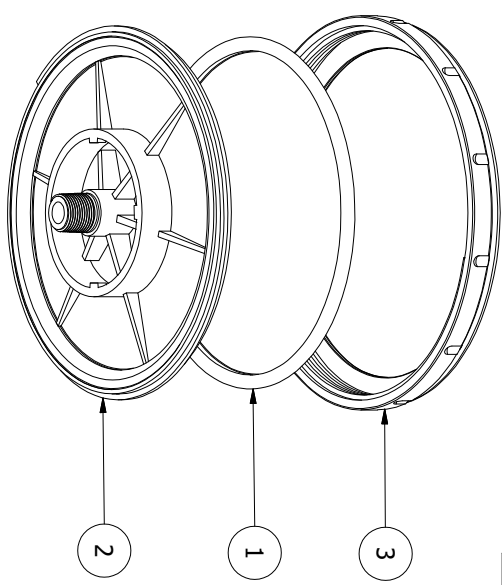
AFD270 DISC DIFFUSER

Please do not scale from this drawing. The information contained in this drawing is copyright and may not be used, in whole or in part, without the express permission of SSI

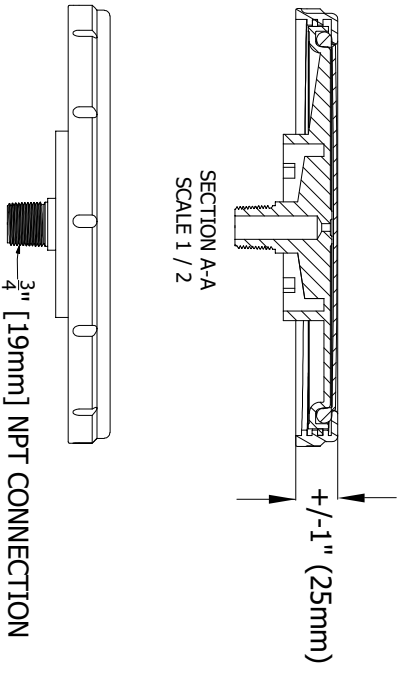
IF IN DOUBT ASK



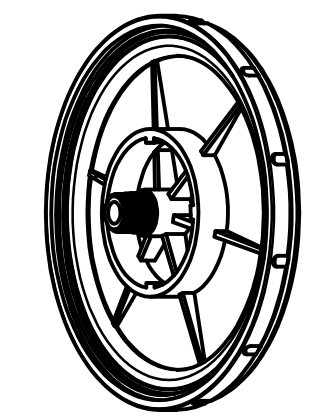
TOP VIEW



EXPLODED VIEW



SECTION A-A
SCALE 1 / 2



ISOMETRIC VIEW

1	MEMBRANE	EPDM / PTFE	1		Title: AFD270 DISC DIFFUSERS SSI AERATION 4 Tucker Drive, Poughkeepsie, NY 12603 USA Web: www.ssi-aeration.com Tel: +1-845-454-8171 Fax: +1-845-454-5094
2	DIFFUSER BASE	POLYPROPYLENE	1		
3	RETAINER NUT	POLYPROPYLENE	1		
Designed By: Si Kang Drawn By: M. Kranthi Dwg. No: AFD270 SCALE: NTS					
PART NO.	PART NAME	MATERIAL	QTY	REMARKS	SHEET NO.1