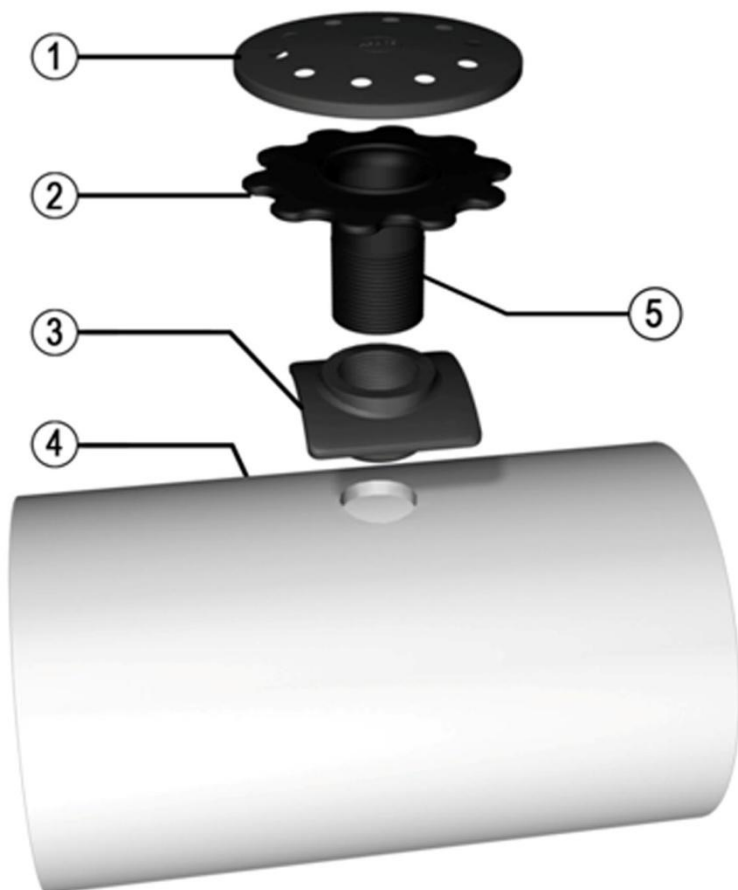


ASSEMBLED VIEW



| Description | Material |
|---|------------------------------|
| 1 Membrane | EPDM / PTFE / fEPDM™ / Viton |
| 2 Diffuser body | Acetyl |
| 3 GR6 Grommet | PVC- 3/4" NPT [F] |
| 4 90mm or 110mm (O.D) PVC pipe (3.5mm to 6.5mm Wall thickness) | |
| 5 3/4" NPT [M] | |

Model Details

| | CAP (AFC75) |
|----------------------------------|-----------------------------|
| 3.5mm to 6mm Wall thick PVC pipe | Ø90mm or Ø110mm |
| Hole size on pipe (Chamfered) | Ø32mm |
| Hole quantity (On membrane) | 10 x 5mm holes |
| Design air flow range | 7 to 10 Sm ³ /hr |

Note: When fitting GR6 Grommet on to 90mm or 110mm (O.D) UPVC pipe work suitable PVC glue is also recommended to be applied to secure the grommet to the pipe wall.