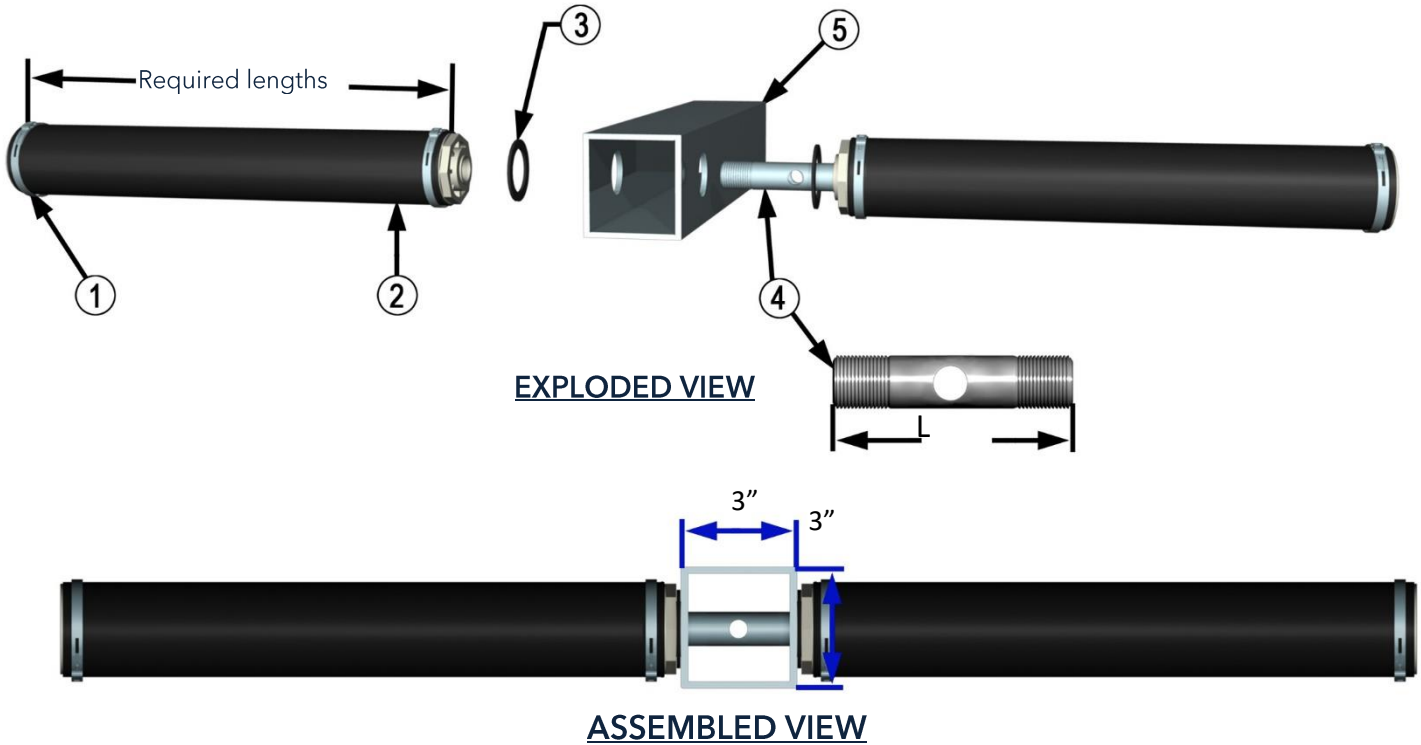


SSI™ TUBE DIFFUSERS COMPONENTS- Ø3/4" NPT (M) DOUBLE NIPPLE FOR 3"x 3" SQUARE PIPE



	Description	Material
1	Membrane Clamp	304 Stainless Steel *
2	Membrane	EPDM / PTFE / fEPDM™ / Viton
3	Gasket	EPDM
4	Ø3/4" NPT (M) Double Nipple	Stainless Steel
5	Square pipe	Stainless Steel

Model Details (for 3.28' Length)

	AFTN 31000	AFTN 21000
Header Pipe	3"x 3"	3"x3"
Double Nipple Part No.	¾"NPT112SS304	¾"NPT106SS304
Nipple Length [L]	4.4"	4.17"
Membrane (Diameter)	Ø3.6"	Ø2.4"
Hole size on header	Ø1.7"	Ø1.6"
Gasket (I.D)	Ø1.7"	Ø1.6"
Design air flow range	1.0 to 15.0 SCFM	1.0 to 10.0 SCFM
Active surface area	2.375 ft ²	1.625 ft ²

Note: * As a standard we supply all Stainless Steel equipment in 304SS unless requested otherwise.